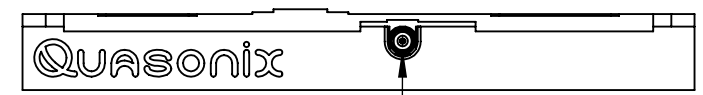
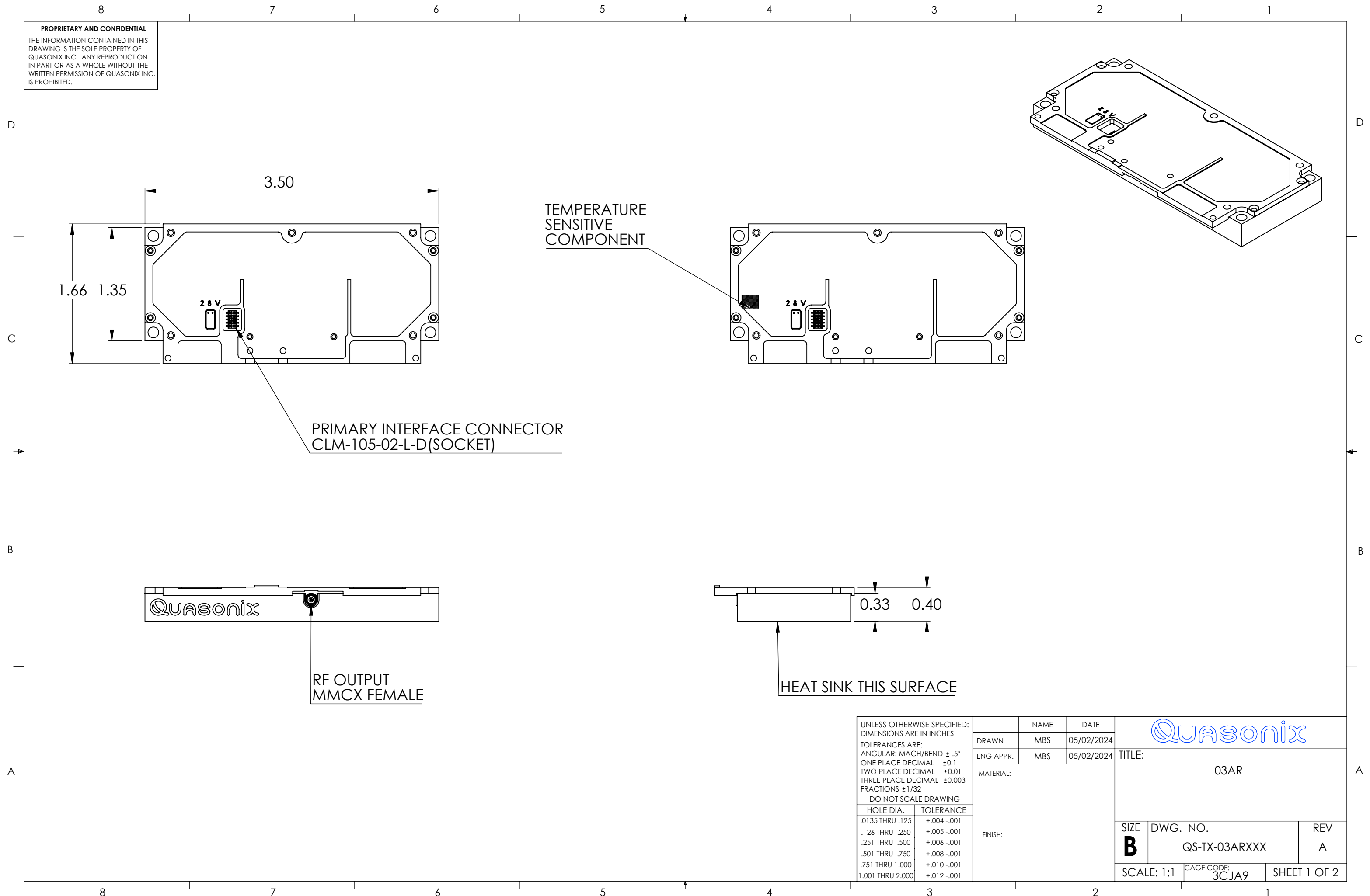
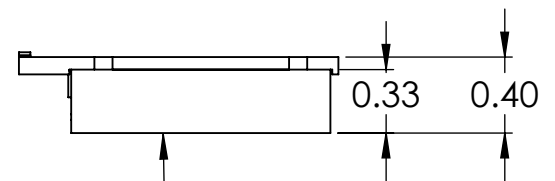


PROPRIETARY AND CONFIDENTIAL
 THE INFORMATION CONTAINED IN THIS DRAWING IS THE SOLE PROPERTY OF QUASONIX INC. ANY REPRODUCTION IN PART OR AS A WHOLE WITHOUT THE WRITTEN PERMISSION OF QUASONIX INC. IS PROHIBITED.



RF OUTPUT
MMCX FEMALE



HEAT SINK THIS SURFACE

UNLESS OTHERWISE SPECIFIED:
 DIMENSIONS ARE IN INCHES
 TOLERANCES ARE:
 ANGULAR: MACH/BEND ± .5°
 ONE PLACE DECIMAL ±0.1
 TWO PLACE DECIMAL ±0.01
 THREE PLACE DECIMAL ±0.003
 FRACTIONS ±1/32
 DO NOT SCALE DRAWING

| HOLE DIA. | TOLERANCE |
|------------------|---------------|
| .0135 THRU .125 | +0.004 -0.001 |
| .126 THRU .250 | +0.005 -0.001 |
| .251 THRU .500 | +0.006 -0.001 |
| .501 THRU .750 | +0.008 -0.001 |
| .751 THRU 1.000 | +0.010 -0.001 |
| 1.001 THRU 2.000 | +0.012 -0.001 |

| | NAME | DATE |
|-----------|------|------------|
| DRAWN | MBS | 05/02/2024 |
| ENG APPR. | MBS | 05/02/2024 |
| MATERIAL: | | |
| FINISH: | | |

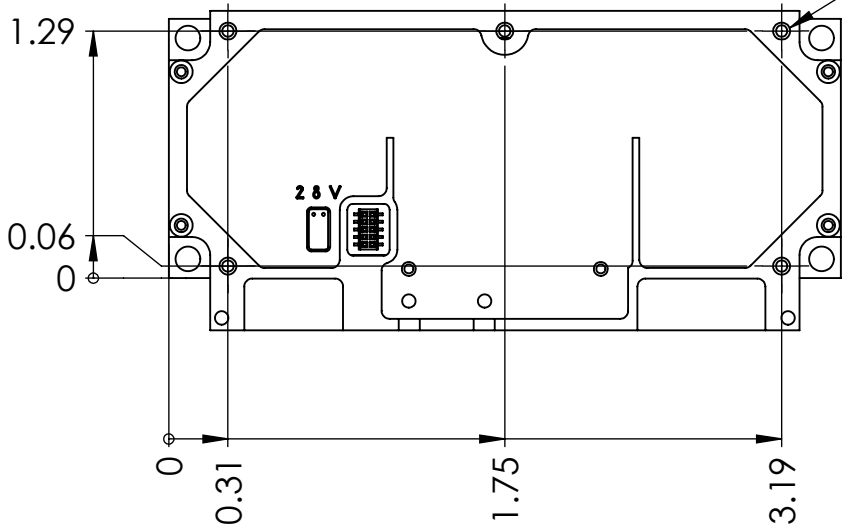
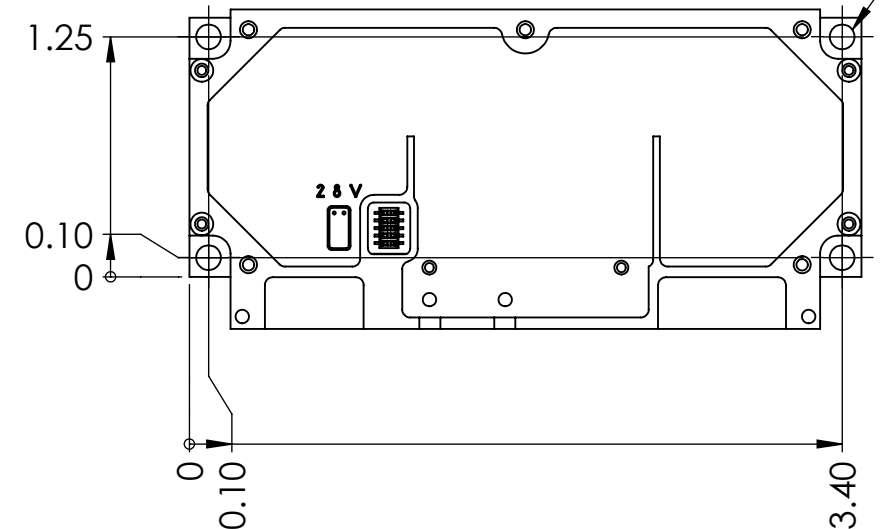
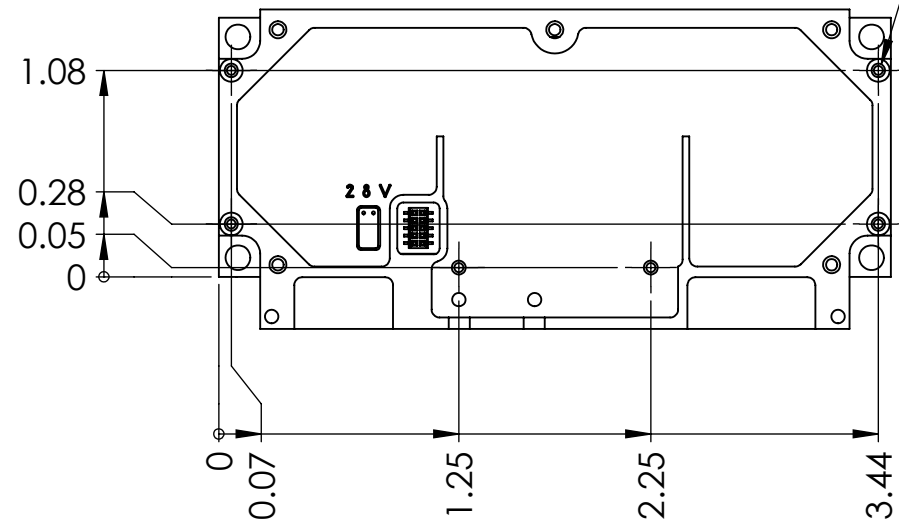
| | | |
|---------------|------------------------|--------------|
| | | |
| TITLE: 03AR | | |
| SIZE B | DWG. NO. QS-TX-03ARXXX | REV A |
| SCALE: 1:1 | CAGE CODE: 3CJA9 | SHEET 1 OF 2 |

PROPRIETARY AND CONFIDENTIAL
 THE INFORMATION CONTAINED IN THIS DRAWING IS THE SOLE PROPERTY OF QUASONIX INC. ANY REPRODUCTION IN PART OR AS A WHOLE WITHOUT THE WRITTEN PERMISSION OF QUASONIX INC. IS PROHIBITED.

SIX #0-80 SHIPPING HARDWARE
 FOUR ARE FLATHEADS

USE #4-40 MOUNTING HARDWARE

USE FIVE #1-72 HARDWARE



| | | |
|------------------|---------------------------|--------------|
| SIZE B | DWG. NO. QS-TX-03ARXXX | REV A |
| SCALE: 1:1 | CAGE CODE: 3CJA9 | SHEET 2 OF 2 |